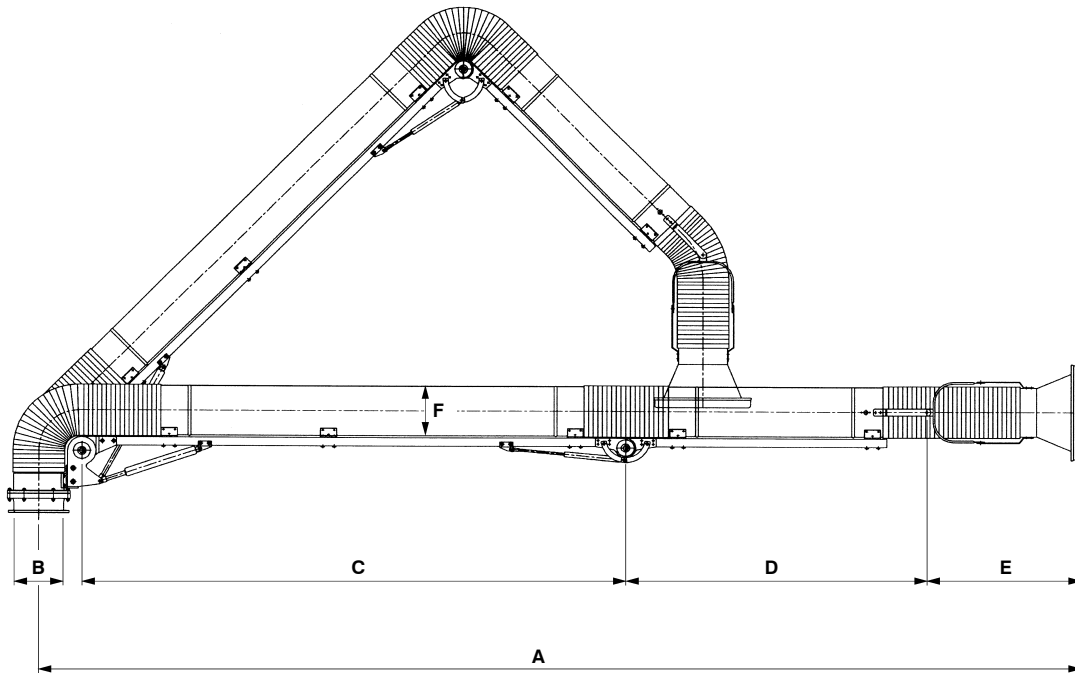


Flexible Extraction Arm



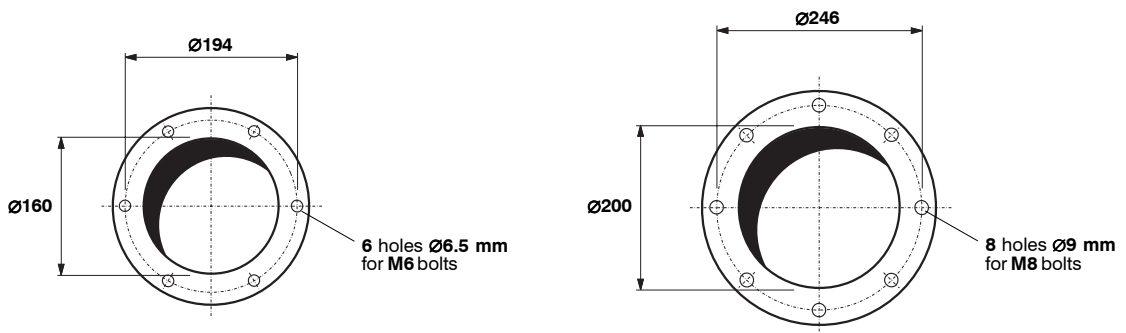
EFFECTIVE SOURCE CAPTURE OF DUST OR FUME PRODUCED IN INDUSTRIAL PROCESSES

- Extremely easy to position at source when extracting contaminated air from the workplace and the worker's breathing zone.
- Round hood with impactor plate, easy-grip design and optional light.
- Scratch resistant black baked enamel coating; lightweight and durable arm ducts.
- Features 360° rotation with smooth, low-friction manoeuvrability that engages positively when positioned.
- Available in four sizes.
- Optional component for many Donaldson Torit DCE dust collectors.



DIMENSIONS in mm						Typical restriction and airflow	Net weight (approx.)
A	B	C	D	E	F		
3033	Ø160	1527	820	534	Ø175	50 mm WG @ 1350 m ³ /h	20 kg
3053	Ø200	1527	820	544	Ø218	50 mm WG @ 1700 m ³ /h	27 kg
3643	Ø160	1907	1050	534	Ø175	50 mm WG @ 1350 m ³ /h	22 kg
3663	Ø200	1907	1050	544	Ø218	50 mm WG @ 1700 m ³ /h	37 kg

FLEXIBLE EXTRACTION ARM DETAILS



FLEXIBLE EXTRACTION ARM MOUNTING FLANGE DETAILS