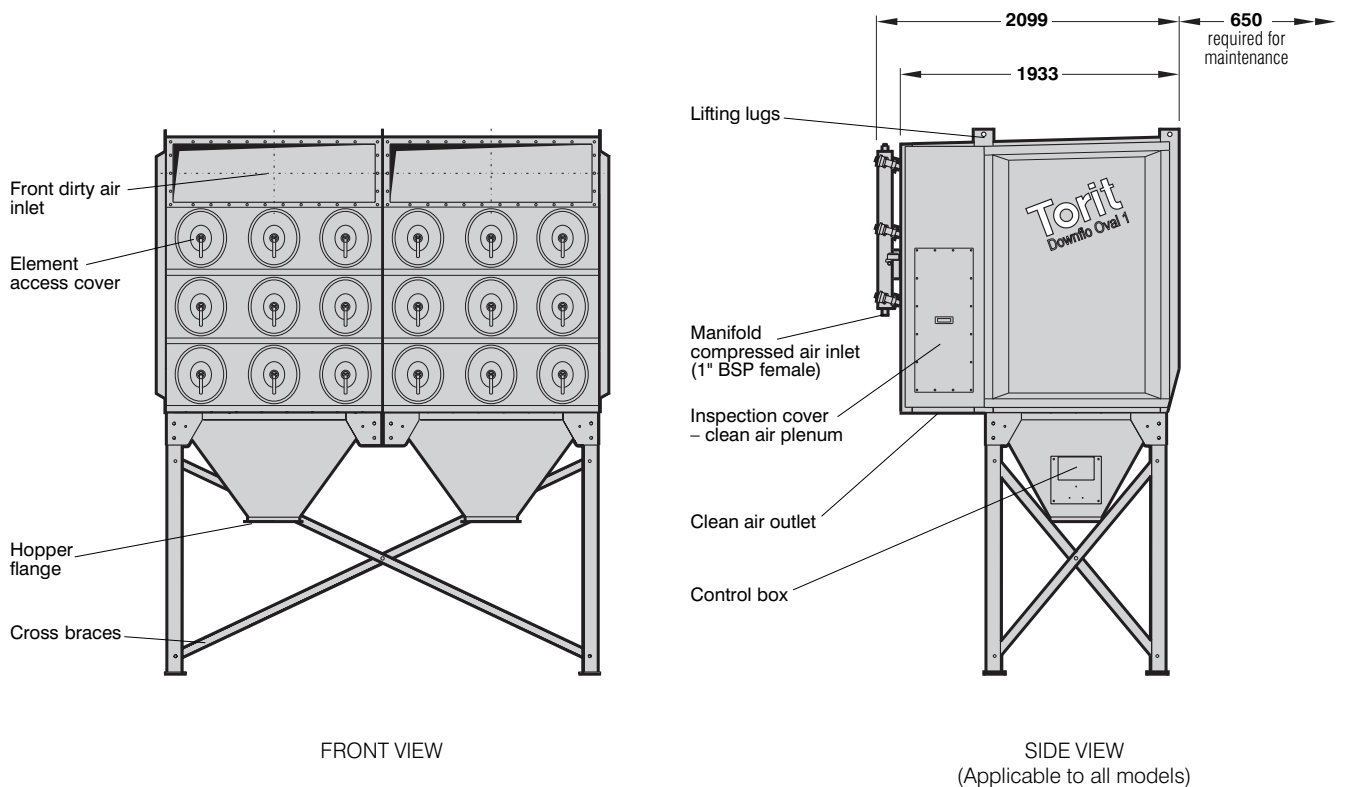


Downflo® Oval 1 Dust Collector



DFO standard dust collector

Model DFO 3-36 illustrated.

DESIGN SPECIFICATIONS (standard equipment)

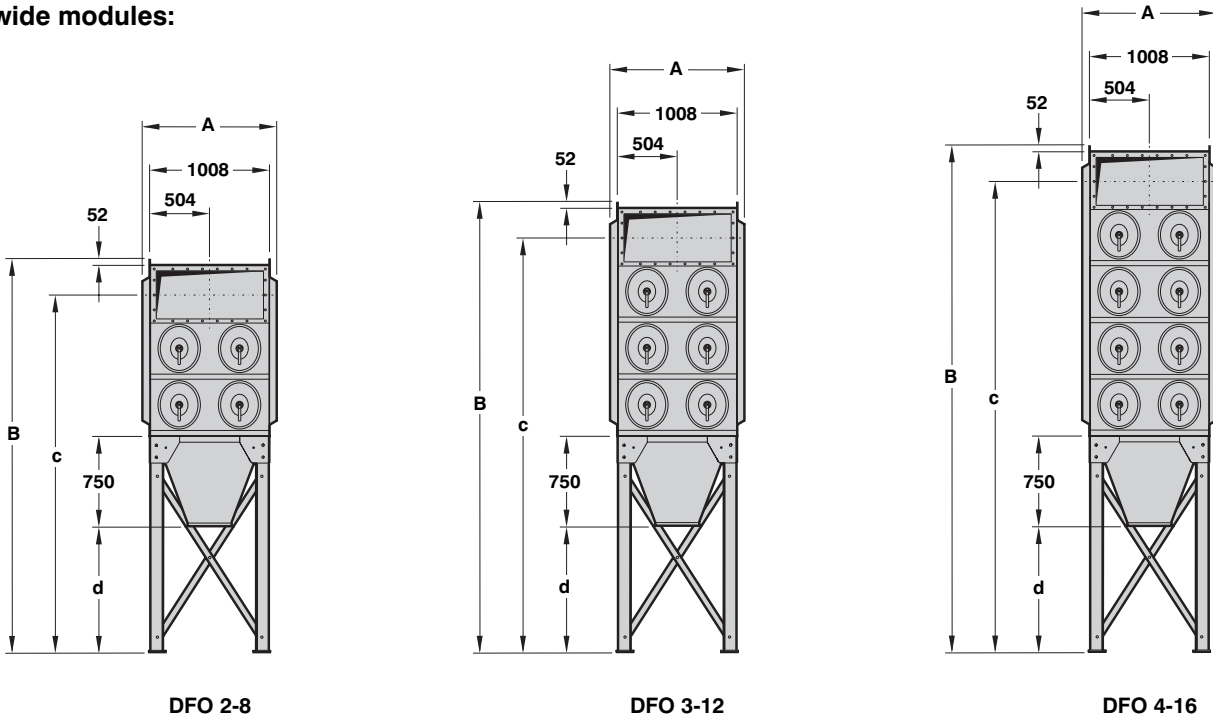
Operating temperature: -10° to $+65^{\circ}\text{C}$

Maximum operating pressure range: ± 5 kPa (500 mm WG)

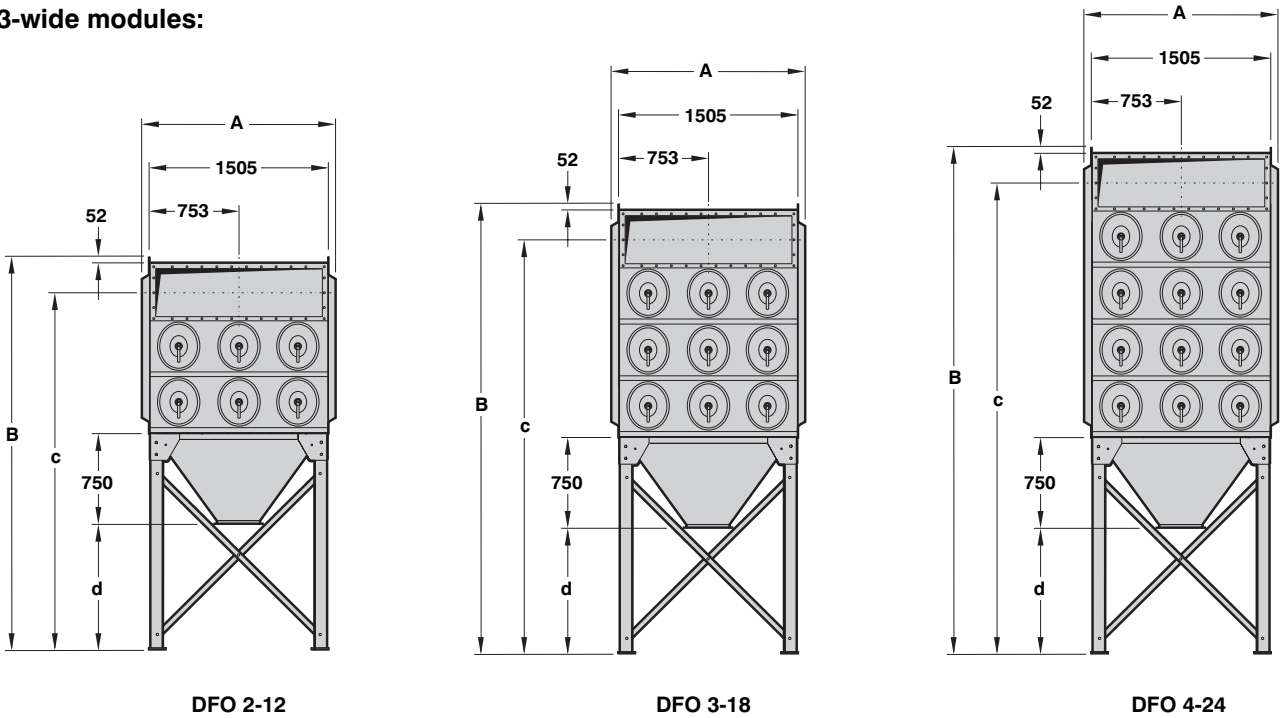
Wind load rating: 160 km/h

Finishing: Acrylated alkyd paint colour RAL 5019 (blue) – semi gloss

2-wide modules:



3-wide modules:



FRONT VIEWS

DFO standard dust collector

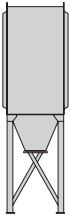
Refer also to 'Specifications' table on page 3.
Larger collectors are configured from suitable combinations of the above modules – refer also to page 4.



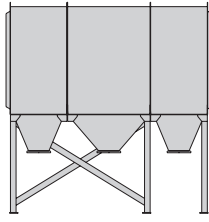
Model	No. of modules*	Filtration area Ultra Web®	SPECIFICATIONS		DIMENSIONS in mm				Approx. net weight
			No. of filter elements	No. of valves	A	B	c	d	
DFO 2-8	1	141.2 m ²	8	4	1138	2645	2340	400	810 kg**‡
					1138	3310	3005	1065	
					1138	3745	3440	1500	
DFO 2-12	1	211.8 m ²	12	6	1635	2645	2340	400	975 kg**‡
					1635	3310	3005	1065	
					1635	3745	3440	1500	
DFO 2-16	2	282.4 m ²	16	8	2146	2645	2340	400	1270 kg**‡
					2146	3310	3005	1065	
					2146	3745	3440	1500	
DFO 3-12	1	211.8 m ²	12	6	1138	3118	2813	400	960 kg**‡
					1138	3783	3478	1065	
					1138	4218	3913	1500	
DFO 3-18	1	317.7 m ²	18	9	1635	3118	2813	400	1170 kg**‡
					1635	3783	3478	1065	
					1635	4218	3913	1500	
DFO 3-24	2	423.6 m ²	24	12	2146	3118	2813	400	1700 kg**‡
					2146	3783	3478	1065	
					2146	4218	3913	1500	
DFO 3-36	2	635.4 m ²	36	18	3140	3118	2813	400	2075 kg**‡
					3140	3783	3478	1065	
					3140	4218	3913	1500	
DFO 3-48	3	847.2 m ²	48	24	4148	3118	2813	400	2690 kg**‡
					4148	3783	3478	1065	
					4148	4218	3913	1500	
DFO 4-16	1	282.4 m ²	16	8	1138	3591	3286	400	1120 kg**‡
					1138	4256	3951	1065	
					1138	4691	4386	1500	
DFO 4-24	1	423.6 m ²	24	12	1635	3591	3286	400	1365 kg**‡
					1635	4256	3951	1065	
					1635	4691	4386	1500	
DFO 4-32	2	564.8 m ²	32	16	2146	3591	3286	400	1790 kg**‡
					2146	4256	3951	1065	
					2146	4691	4386	1500	
DFO 4-40	2	706.0 m ²	40	20	2643	3591	3286	400	2135 kg**‡
					2643	4256	3951	1065	
					2643	4691	4386	1500	
DFO 4-48	2	847.2 m ²	48	24	3140	3591	3286	400	2490 kg**‡
					3140	4256	3951	1065	
					3140	4691	4386	1500	
DFO 4-56	3	988.4 m ²	56	28	3651	3591	3286	400	2765 kg**‡
					3651	4256	3951	1065	
					3651	4691	4386	1500	
DFO 4-64	3	1129.6 m ²	64	32	4148	3591	3286	400	3190 kg**‡
					4148	4256	3951	1065	
					4148	4691	4386	1500	
DFO 4-72	3	1270.8 m ²	72	36	4645	3591	3286	400	3615 kg**‡
					4645	4256	3951	1065	
					4645	4691	4386	1500	
DFO 4-80	4	1412.0 m ²	80	40	5156	3591	3286	400	4000 kg**‡
					5156	4256	3951	1065	
					5156	4691	4386	1500	
DFO 4-88	4	1553.2 m ²	88	44	5653	3591	3286	400	4275 kg**‡
					5653	4256	3951	1065	
					5653	4691	4386	1500	
DFO 4-96	4	1694.4 m ²	96	48	6150	3591	3286	400	4570 kg**‡
					6150	4256	3951	1065	
					6150	4691	4386	1500	
DFO 4-104	5	1835.6 m ²	104	52	6661	3591	3286	400	4935 kg**‡
					6661	4256	3951	1065	
					6661	4691	4386	1500	
DFO 4-112	5	1976.8 m ²	112	56	7158	3591	3286	400	6240 kg**‡
					7158	4256	3951	1065	
					7158	4691	4386	1500	
DFO 4-120	5	2118.0 m ²	120	60	7655	3591	3286	400	6425 kg**‡
					7655	4256	3951	1065	
					7655	4691	4386	1500	
DFO 4-128	6	2259.2 m ²	128	64	8166	3591	3286	400	6850 kg**‡
					8166	4256	3951	1065	
					8166	4691	4386	1500	

*For module configurations refer to pages 2 and 4. **Indicates heaviest configuration (1500 mm hopper clearance).
 ‡Increase weight by 15% for reinforced units.
 For reinforced units refer to detailed outlines.

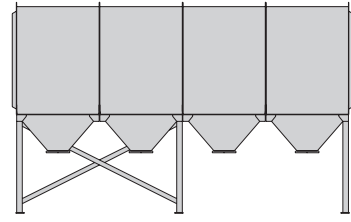
Downflo® Oval 1 Dust Collector



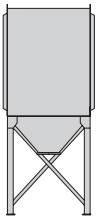
**DFO 2-8
DFO 3-12
DFO 4-16**



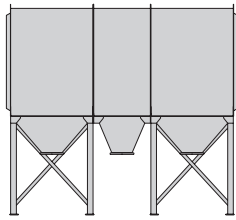
DFO 4-56



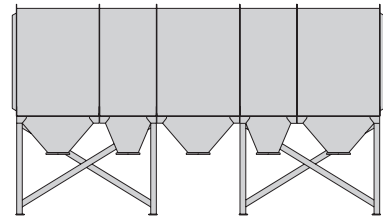
DFO 4-96



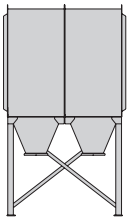
**DFO 2-12
DFO 3-18
DFO 4-24**



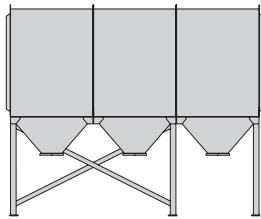
**DFO 3-48
DFO 4-64**



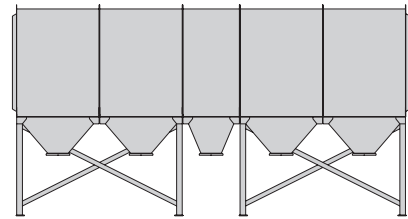
DFO 4-104



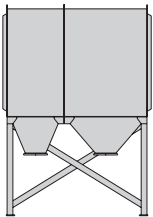
**DFO 2-16*
DFO 3-24*
DFO 4-32***



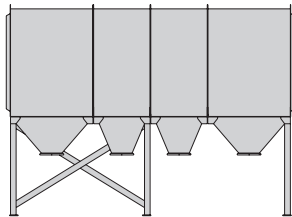
DFO 4-72



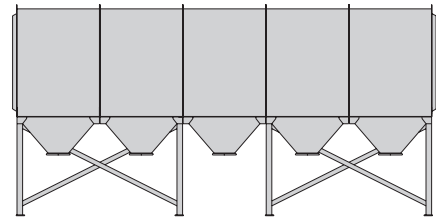
DFO 4-112



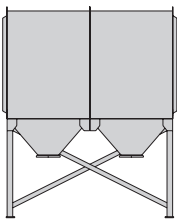
DFO 4-40



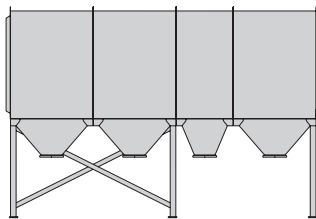
DFO 4-80



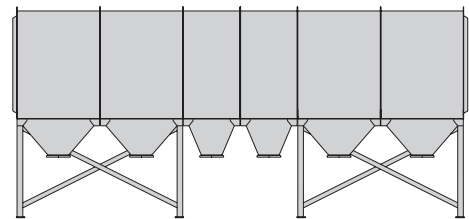
DFO 4-120



**DFO 3-36
DFO 4-48**



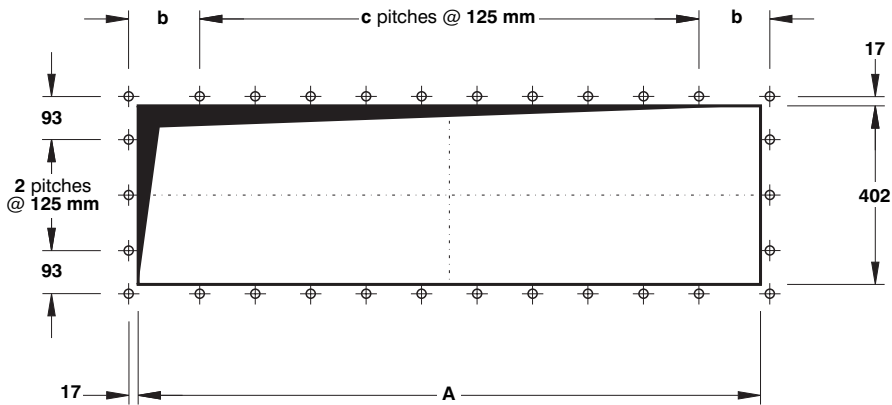
DFO 4-88



DFO 4-128

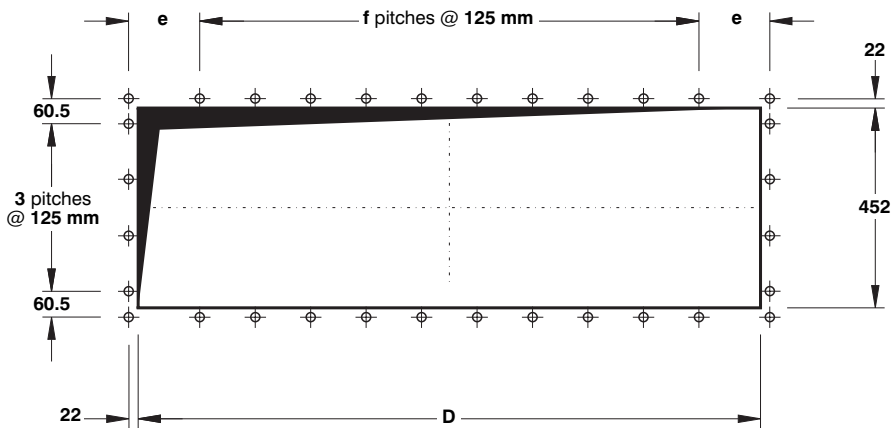
Module configurations

*Single hopper is also available for these models.



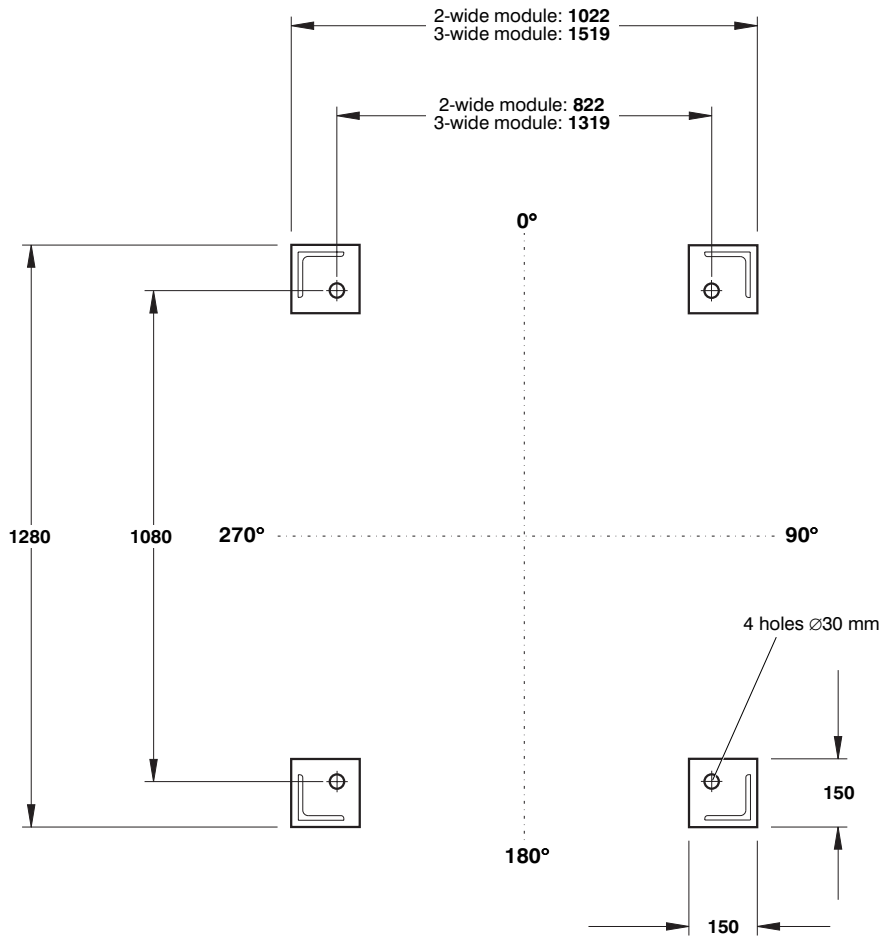
Dirty air inlet details
3-wide module illustrated.

	Nominal □	DIMENSIONS in mm			No. of holes (M10 threaded)
		A	b	c	
2-wide module	400 x 930	932	170.5	5	22
3-wide module	400 x 1400	1402	155.5	9	30



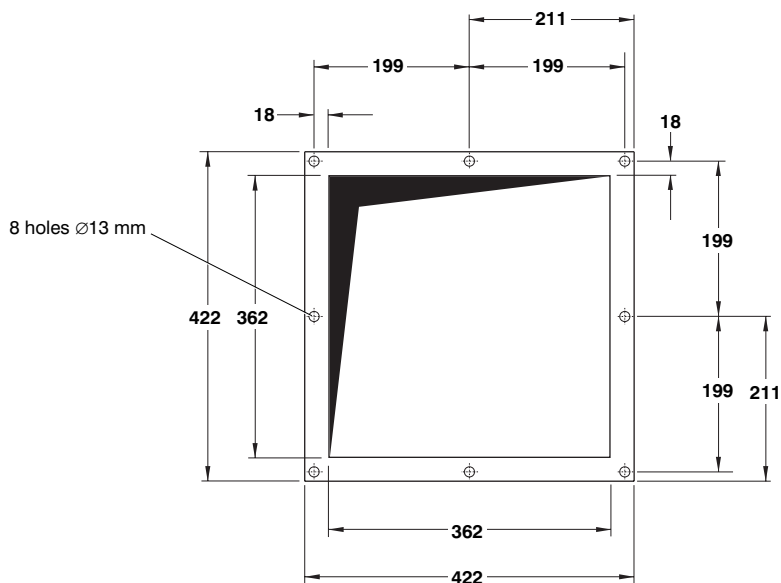
Clean air outlet details
3-wide module illustrated.

	D	DIMENSIONS in mm		No. of holes (M10 threaded)
		e	f	
2-wide module	902	160.5	5	24
3-wide module	1399	159	9	32



Foundation details for standard models

2-wide module illustrated.



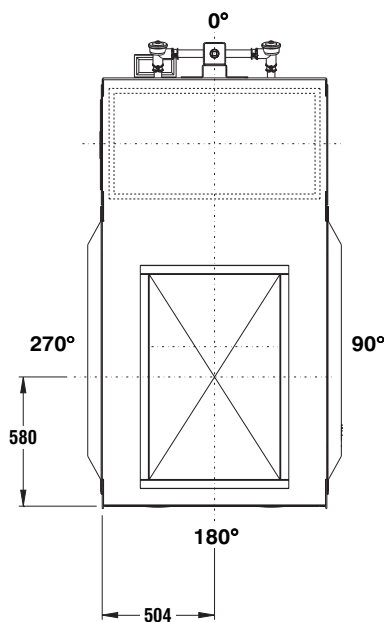
Hopper flange details (362 x 362)

REINFORCED VERSION SPECIFICATIONS

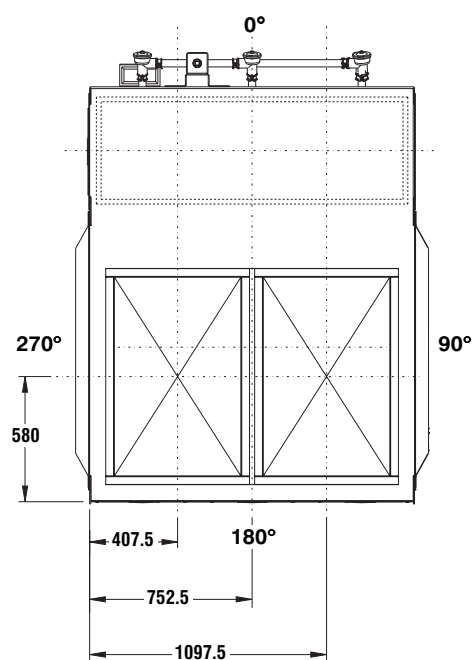
Model	No. of bursting panels (586 x 920 mm)	Vent area (m ²)	Activation overpressure Pstat (bar)	Pmax (bar)	INSIDE			OUTSIDE (free venting)		
					Kst (bar.m/s)	Hazard class	Pmax (bar)	Kst (bar.m/s)	Hazard class	
DFO 2-8	1	0.5	0.1				12	417	3	
DFO 2-12	2	1.0	0.1				12	680	3	
DFO 2-16	2	1.0	0.1				12	417	3	
DFO 2-16 SH	2	1.0	0.1				12	489	3	
DFO 3-12	1	0.5	0.1				12	335	3	
DFO 3-18	2	1.0	0.1				12	542	3	
DFO 3-24	2	1.0	0.1				12	335	3	
DFO 3-24 SH	2	1.0	0.1				12	403	3	
DFO 3-36	4	2.0	0.1				12	542	3	
DFO 3-48	5	2.5	0.1				12	335	3	
DFO 4-16	1	0.5	0.1				10	335	3	
DFO 4-24	2	1.0	0.1				12	453	3	
DFO 4-32	2	1.0	0.1				10	335	3	
DFO 4-32 SH	2	1.0	0.1				12	340	3	
DFO 4-40	3	1.5	0.1				10	335	3	
DFO 4-48	4	2.0	0.1				12	453	3	
DFO 4-56	4	2.0	0.1				10	335	3	
DFO 4-64	5	2.5	0.1				10	335	3	
DFO 4-72	6	3.0	0.1				12	453	3	
DFO 4-80	6	3.0	0.1				10	335	3	
DFO 4-88	7	3.5	0.1				10	335	3	
DFO 4-96	8	4.0	0.1				12	453	3	
DFO 4-104	8	4.0	0.1				10	335	3	
DFO 4-112	9	4.5	0.1				10	335	3	
DFO 4-120	10	5.0	0.1				12	453	3	
DFO 4-128	10	5.0	0.1				10	335	3	

Venting systems on indoor units available on request

Pred = 0.66 bar



TOP VIEW (2-WIDE MODULE)



TOP VIEW (3-WIDE MODULE)

DFO reinforced version – standard venting position

(Refer to detailed outlines for reinforced units)

COMPRESSED AIR REQUIREMENTS

Max. 7 bar
Pressure range 6-7 bar
Clean air (max. particle size 50 µm)
Free of condensate at working temperature
Max. oil content: 3 mg/m³
Approx. compressed air usage*: ±45 Nlitres per pulse
(±16.2 Nm³/h for 10 s pulse interval at 7 bar)

* The indicated value is the consumption per valve

ELECTRICAL SPECIFICATIONS

Controls

Full automatic cleaning mechanism: IPC / IPC (ΔP) controller
Pulse time: 100 ms
Interval time: 12 s
Voltage input: 24V DC, 110V AC or 230V AC; 1 ph; 50 Hz; 0.15 kW
Protection class: IP65
Solenoid voltage: 24V DC

NOISE LEVEL *

Pulse noise*

LpAeq: ≤ 78 dB (A-weighted equivalent continuous sound pressure level)
ΔLi: ≤ 10 dB (impulsive noise content)

* Measurement according to DIN 45635/1 at 1m distance, with 6 bar compressed air pressure, pulse interval of 15s, semi-free field conditions and usual tolerance ±2 dB.

OPTIONS

- | | |
|--|---|
| <input type="checkbox"/> Execution for outside installation | <input type="checkbox"/> Earthing |
| <input type="checkbox"/> Full range of filter elements | <input type="checkbox"/> Vibrator |
| <input type="checkbox"/> Variable hopper clearance | <input type="checkbox"/> Sprinkler |
| <input type="checkbox"/> Pulse noise attenuation down to LpAeq ≤ 70 dB | <input type="checkbox"/> Oil/water separator |
| <input type="checkbox"/> Full range of dust disposal systems | <input type="checkbox"/> Platform |
| <input type="checkbox"/> Front inlet adaptor pieces | <input type="checkbox"/> Bag in / Bag out |
| <input type="checkbox"/> Abrasive inlet boxes | <input type="checkbox"/> Full range of fan sets and ducting |



www.toridce.com
www.donaldson.com

Humberstone Lane
Thurmaston
Leicester LE4 8HP
England
Tel +44 (0)116 269 6161
Fax +44 (0)116 269 3028
Email: IFSG.uk@emea.donaldson.com

Research Park Zone 1
Interleuvenlaan 1
B-3001 Leuven (Heverlee)
Belgium
Tel +32 (0)16 383 970
Fax +32 (0)16 383 938
Email: IFSG.be@emea.donaldson.com